

Description

Fast-to-attach tamper-proof seal tag with durable enclosure for logistics applications



Electrical specifications

Device Type

RAIN RFID / EPCglobal Gen2v2

Operational frequency

Global 865 - 928 MHz

IC type

NXP UCODE 8m

Memory configuration

Memory: EPC 96 bit; User 32 bit; TID 96 bit

EPC memory content

Unique number encoded as a default

Read range (2W ERP)*

Hanging from metal up to 12m / 40ft

Asset diameter and surroundings will influence read range

Hanging from plastic up to 3m / 10ft

Hanging from cable up to 2m / 6ft

Applicable surface materials*

All surfaces, optimized for metal

* Read ranges are theoretical values that are calculated for non-reflective environment, in where antennas with optimum directivity are used with maximum allowed operating power according to ETSI EN 302 208 (2W ERP). Different bar diameters and environment around may have an effect on performance.



Mechanical specifications

Tag materials

High quality engineering plastics.

Weight

6 g

Delivery format

Single

Amount in box

150 pcs

Dimensions

Open:

125,7mm x 20mm x 15mm

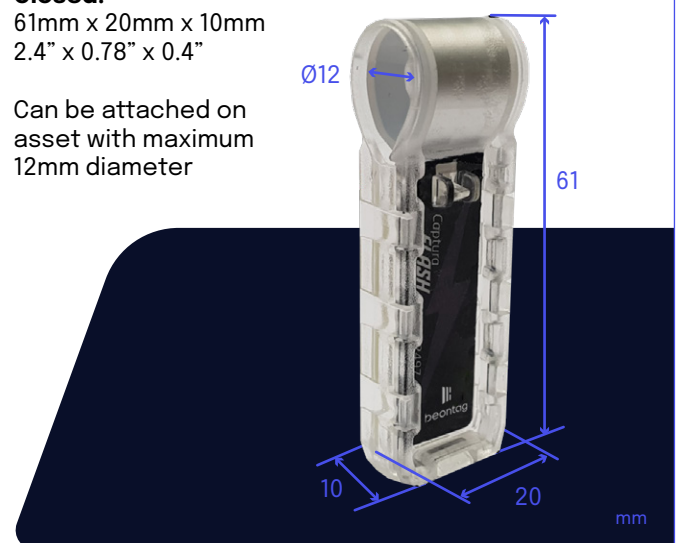
4.95" x 0.78" x 0.59"

Closed:

61mm x 20mm x 10mm

2.4" x 0.78" x 0.4"

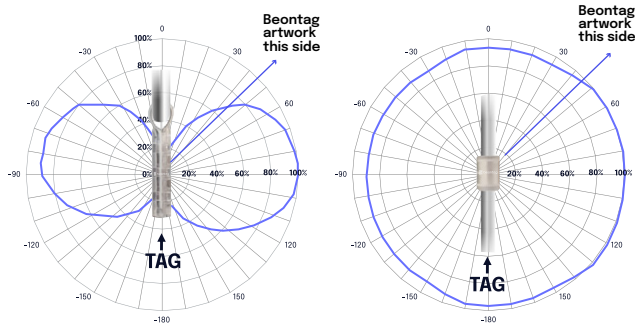
Can be attached on asset with maximum 12mm diameter



Radiation pattern

Hanging on metal

Radiation pattern may be influenced by the asset and environment



Environmental resistance

Operating temperature

-35°C to +85°C / -31°F to +185°F

Short term peak temperature

+ 130°C / 266°F for 10min

Ambient temperature

-35°C to +85°C / -31°F to +185°F

IP classification

IP68

Washing resistance

Designed to tolerate standard industrial washing processes. Real environment testing recommended.

Chemical resistance

No physical or performance changes in:

- 168h Motor oil exposure
- Minutes Sulfuric acid (10%, pH 2) exposure
- Minutes NaOH (10%, pH 13) exposure

Acetone should be avoided

Expected lifetime

Years in normal operating conditions

Values in the table are the best recommendations; resistance against environmental conditions depends on the combination of all influencing factors, exposure duration and chemical concentrations. Thus, product's final suitability for certain environmental conditions is recommended to be tested. Contact Beontag for more specific information.

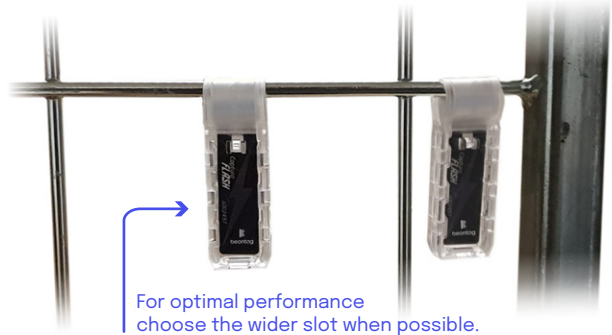


Installation instructions

Beontag Captura Flash is designed to be attached fast and easy without any tools.

Polarization of tag may be affected by the attached asset and surroundings. Optimal reader antenna orientation is to be tested at the final application.

Beontag Captura Flash uses the tagged object's metal parts to achieve its performance. Performance should be always tested in real application with firmly closed tag. Tag will not work properly if not closed.



Fixing procedure:

1. Remove the adhesive liner without touching the adhesive.
2. Close the structure and ensure all the snaps are firmly closed. Tag is now ready to be used.



Personalization Options

Pre-encoding

- Customer specific encoding of EPC or user memory. Locking permanently or with password

Customized printing with additional data label

- Customer specific layout including logo, text, numbers, barcodes etc.
- Available for lower volumes. Label attached on the outer surface of plastics.

Customized printing protected inside plastics

- Customer specific layout including logo, text, numbers, barcodes etc.
- Available for higher volumes. Printing protected against mechanical impacts and chemicals inside durable enclosure.

**Order information**Product number: **3002497**Product Name: **Beontag Captura Flash UCODE 8m**

For other versions, additional information and technical support please contact Beontag.

DISCLAIMER

THE MATERIALS, PRODUCTS AND SERVICES ARE SOLD SUBJECT TO ITS STANDARD CONDITIONS OF SALE, WHICH ARE INCLUDED IN THE APPLICABLE DISTRIBUTOR OR OTHER SALES AGREEMENT. ALTHOUGH ANY INFORMATION, RECOMMENDATIONS, OR ADVICE CONTAINED HEREIN IS GIVEN IN GOOD FAITH, BEONTAG MAKES NO WARRANTY OR GUARANTEE, EXPRESS OR IMPLIED, (i) THAT THE RESULTS DESCRIBED HEREIN WILL BE OBTAINED UNDER END-USE CONDITIONS, OR (ii) AS TO THE EFFECTIVENESS OR SAFETY OF ANY DESIGN INCORPORATING ITS PRODUCTS, MATERIALS, SERVICES, RECOMMENDATIONS OR ADVICE. EXCEPT AS PROVIDED IN BEONTAG STANDARD CONDITIONS OF SALE, BEONTAG AND ITS REPRESENTATIVES SHALL IN NO EVENT BE RESPONSIBLE FOR ANY LOSS RESULTING FROM ANY USE OF ITS MATERIALS, PRODUCTS OR SERVICES DESCRIBED HEREIN.

Each user bears full responsibility for making its own determination as to the suitability of Beontag products, materials, services, recommendations, or advice for its own particular use. Each user must identify and perform all tests and analyses necessary to assure that its finished systems incorporating Beontag products, materials, or services will be safe and suitable for use under end-use conditions. Nothing in this or any other document, nor any oral recommendation or advice, shall be deemed to alter, vary, supersede, or waive any provision of this Disclaimer, unless any such modification is specifically agreed to in a writing signed by Beontag.

About Beontag

From the science of graphic and label materials, RFID and wireless IoT enablers, we create solutions across the value chain to deliver digital transformation for businesses around the world.

Sustainability is at the core of what we do and we strongly believe that by substituting non-renewable materials and innovating through more sustainable and renewable products, we act as an ESG enabler for our customers' value chain.

Beontag is one of the world's leading providers of RFID and wireless IoT solutions, being present in more than 40 countries with 7 R&D centers and 2,000 employees, in constant development of technological and sustainable solutions designed to connect items, and gain efficiency and end-to-end traceability

CONTACT US FOR
MORE INFORMATIONS:
beontag.com

The performance of the product should always be tested in the actual application conditions. Our recommendations are based on our most current knowledge and experience and the pictures and illustrations presented in this document are for illustration purposes only. As our products are used in conditions beyond our control, we cannot assume any liability for damage caused through their use. Beontag reserves the right to change its products and services at any time without notice.

